

STOCKPENS

With DOUBLE CHUTES

Campbell Scale Models

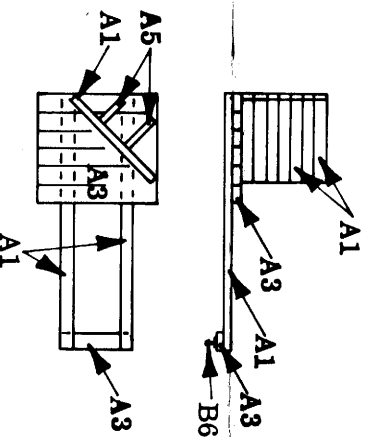


FIGURE 4 DROP GATE TEMPLATE

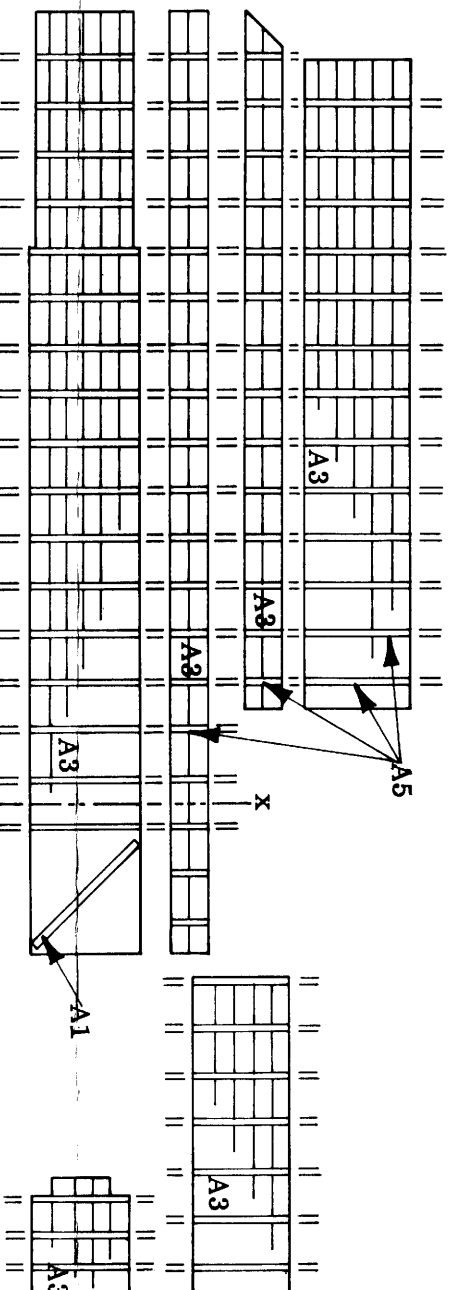
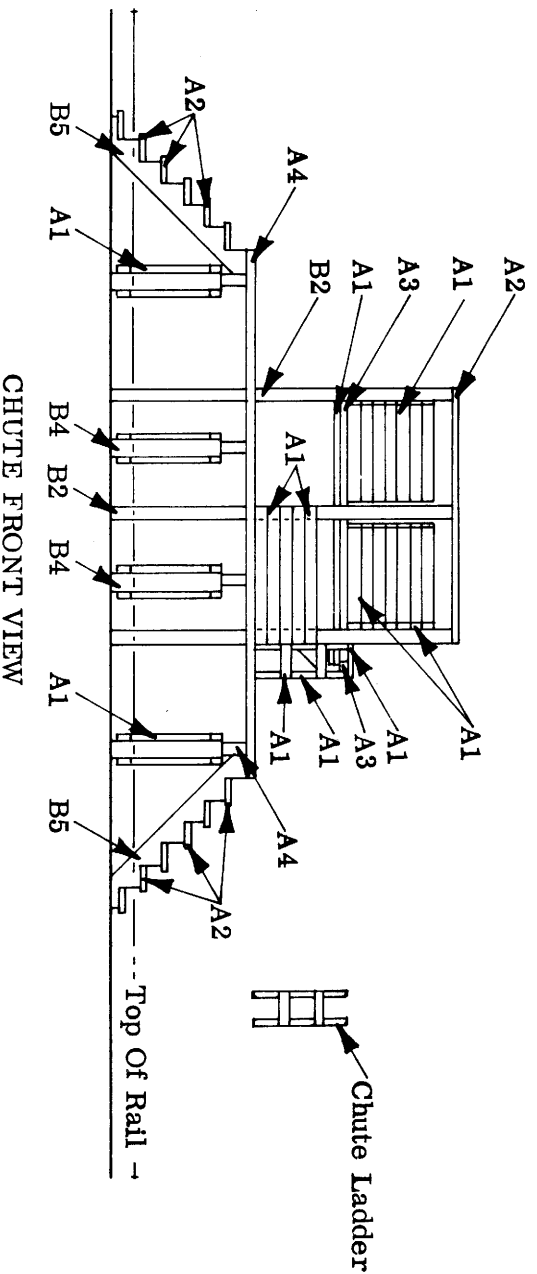
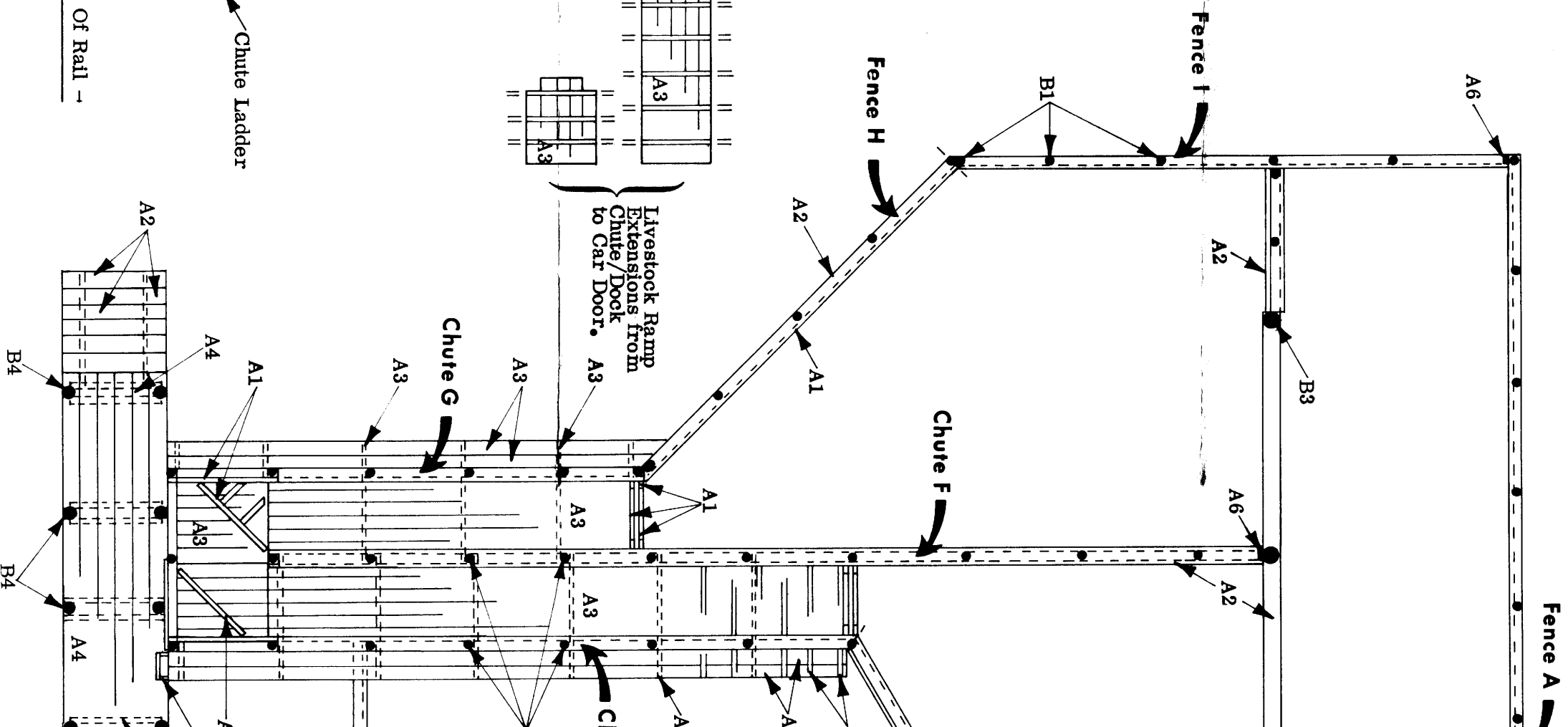


FIGURE 3 CHUTE RAMP & WALKWAY TEMPLATE



CHUTE FRONT VIEW



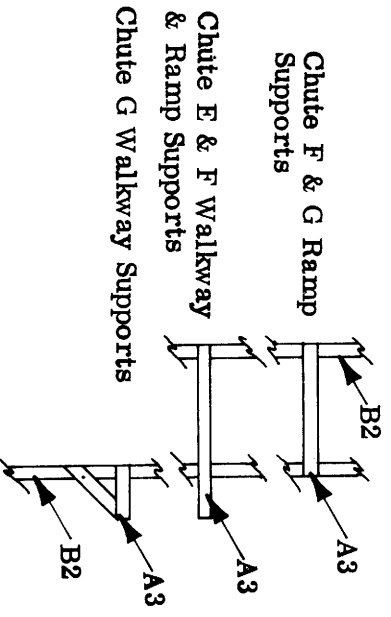
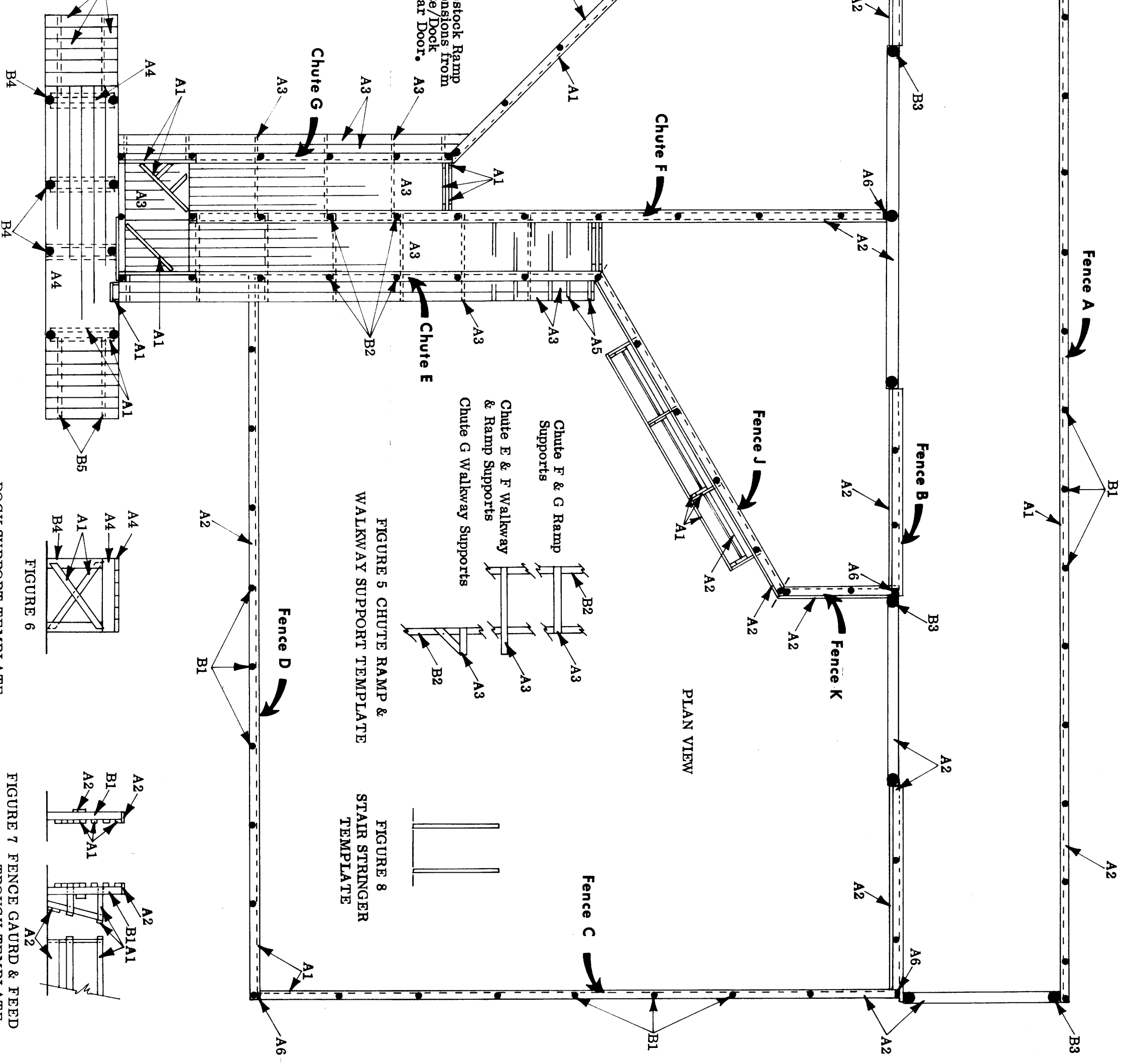
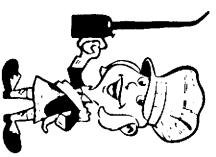


FIGURE 5 CHUTE RAMP & WALKWAY SUPPORT TEMPLATE

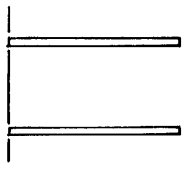


FIGURE 8 STAIR STRINGER TEMPLATE

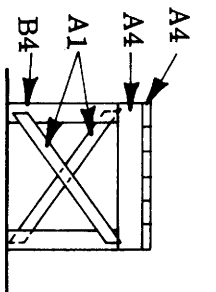


FIGURE 6 DOCK SUPPORT TEMPLATE

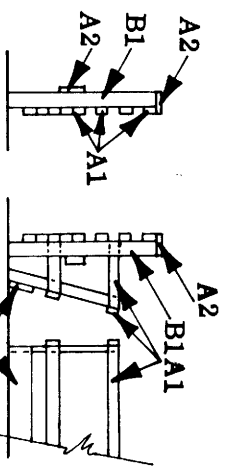


FIGURE 7 FENCE GAURD & FEED THROUGH TEMPLATE

STOCKPENS

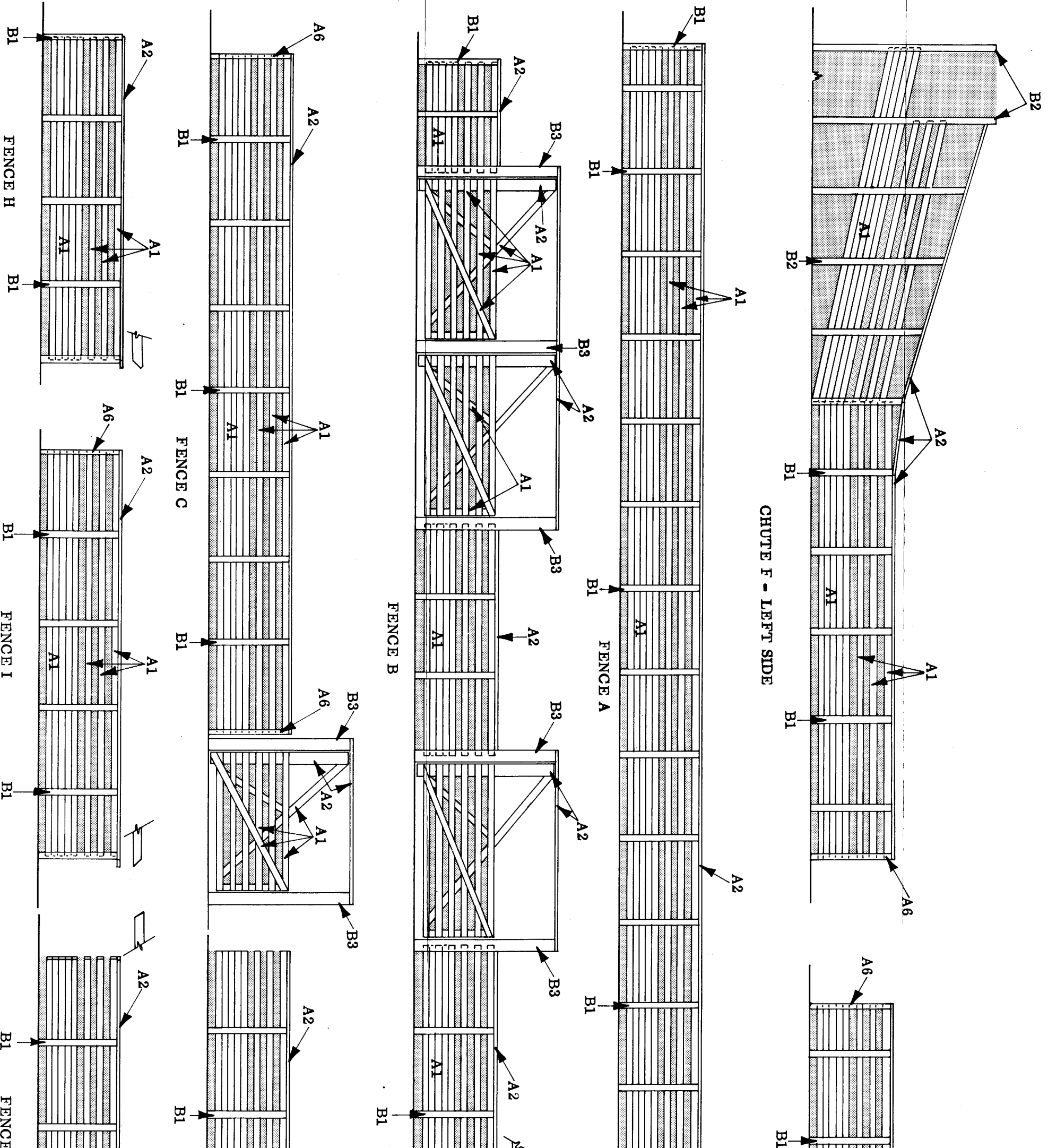
With DOUBLE CHUTES

Campbell Scale Models

Kit No. 437

43702

#4370982



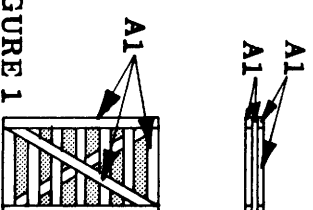
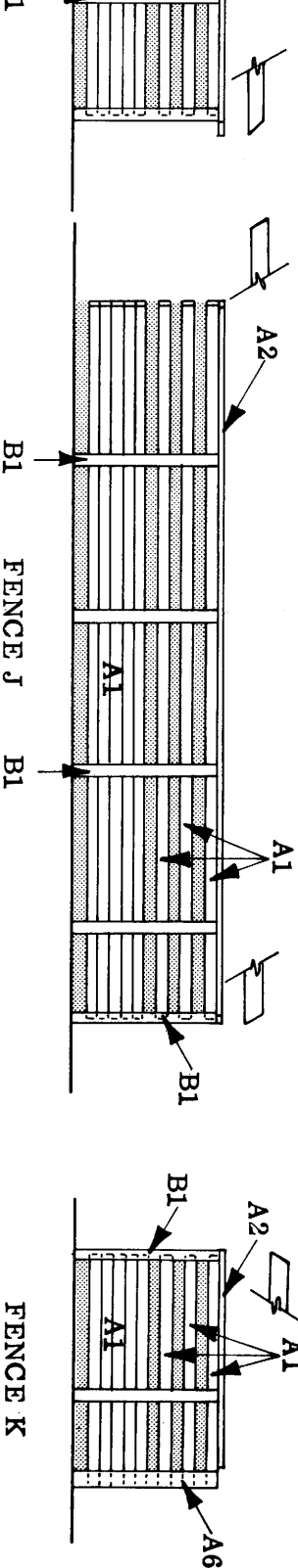
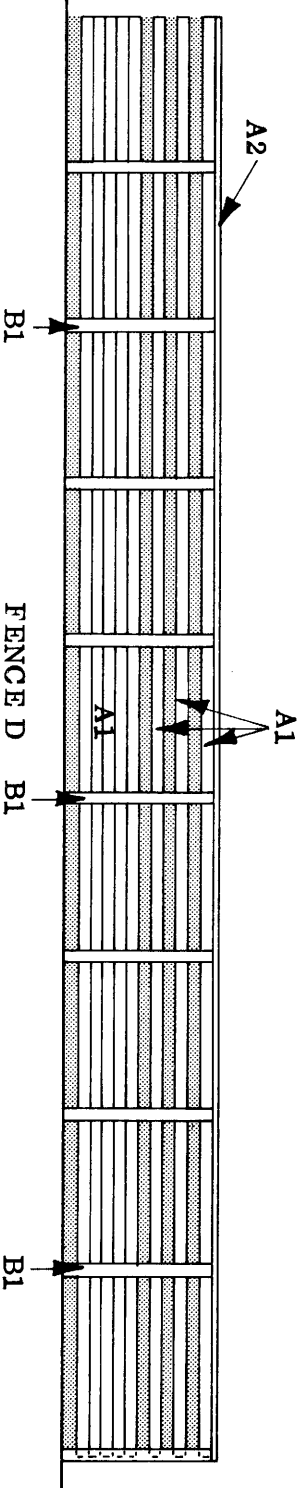
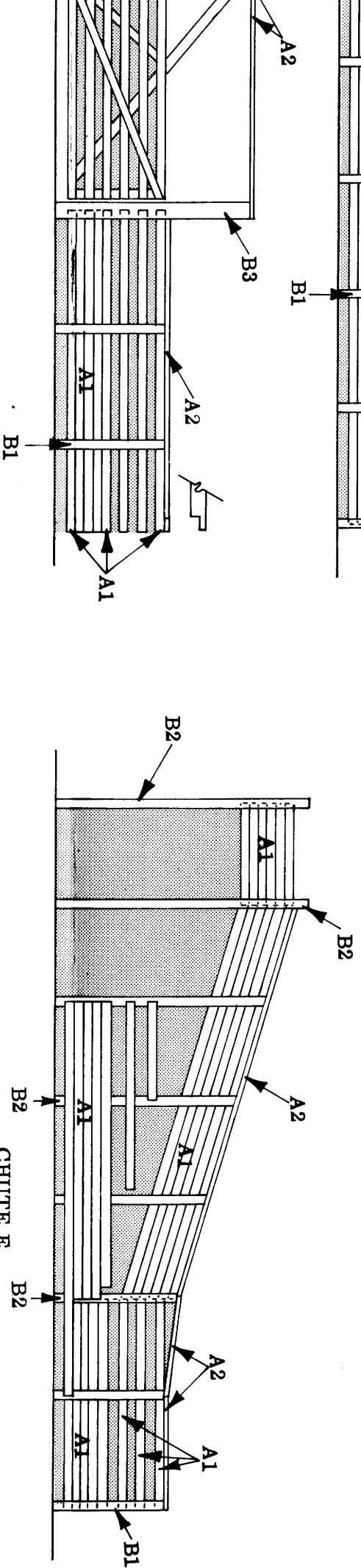
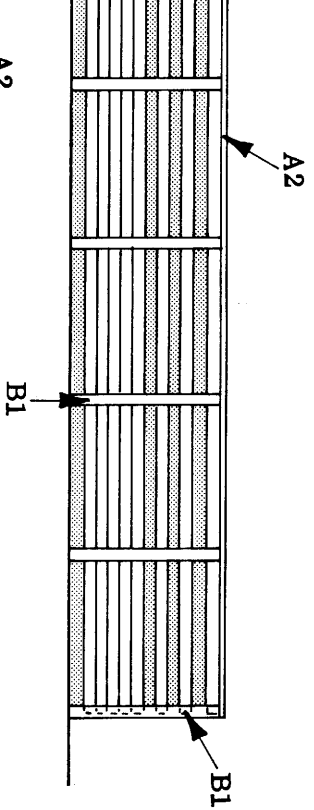
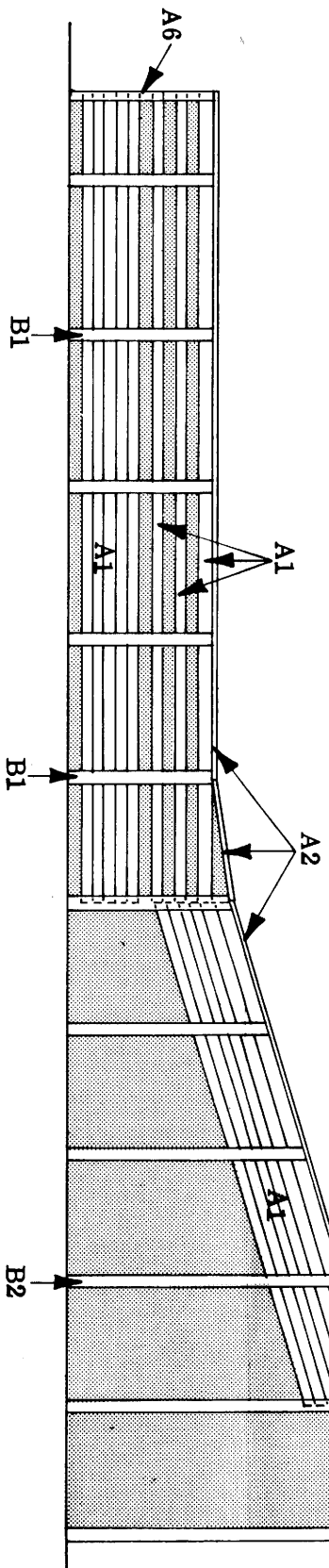
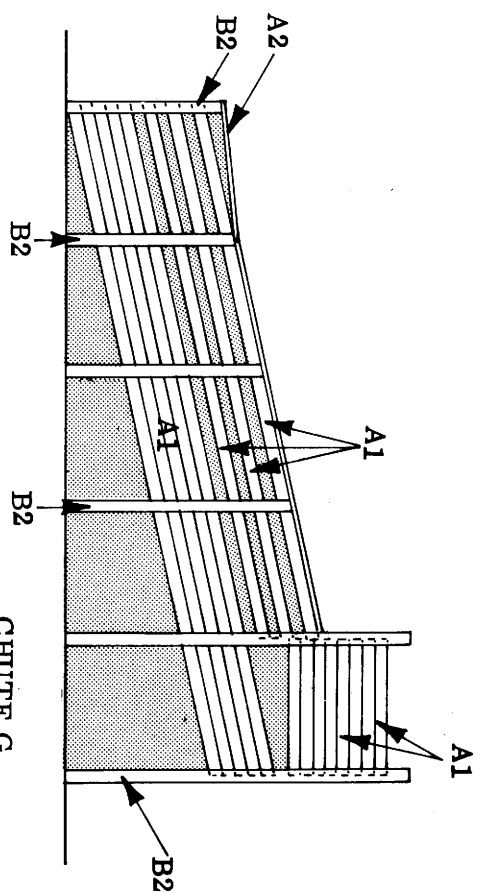
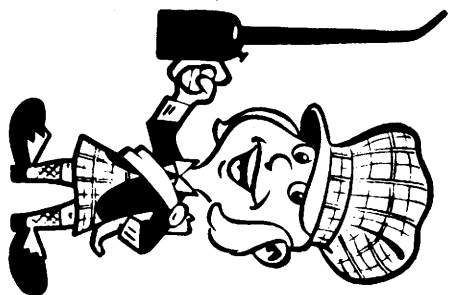


FIGURE 1
CHUTE GATES

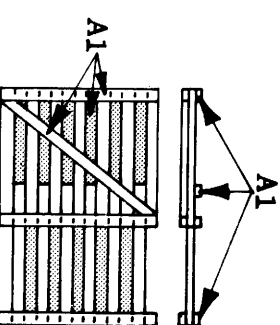


FIGURE 2
LOADING GATES