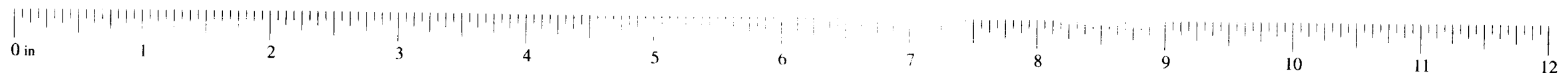
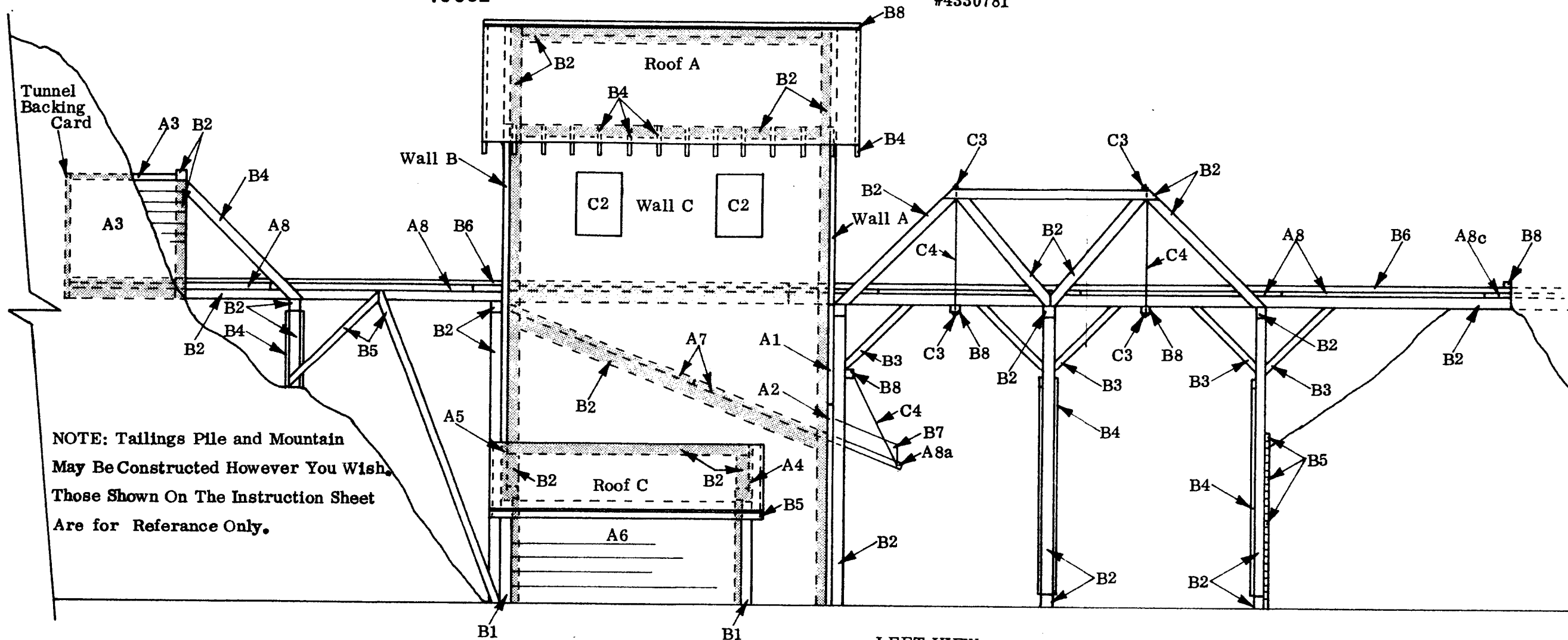


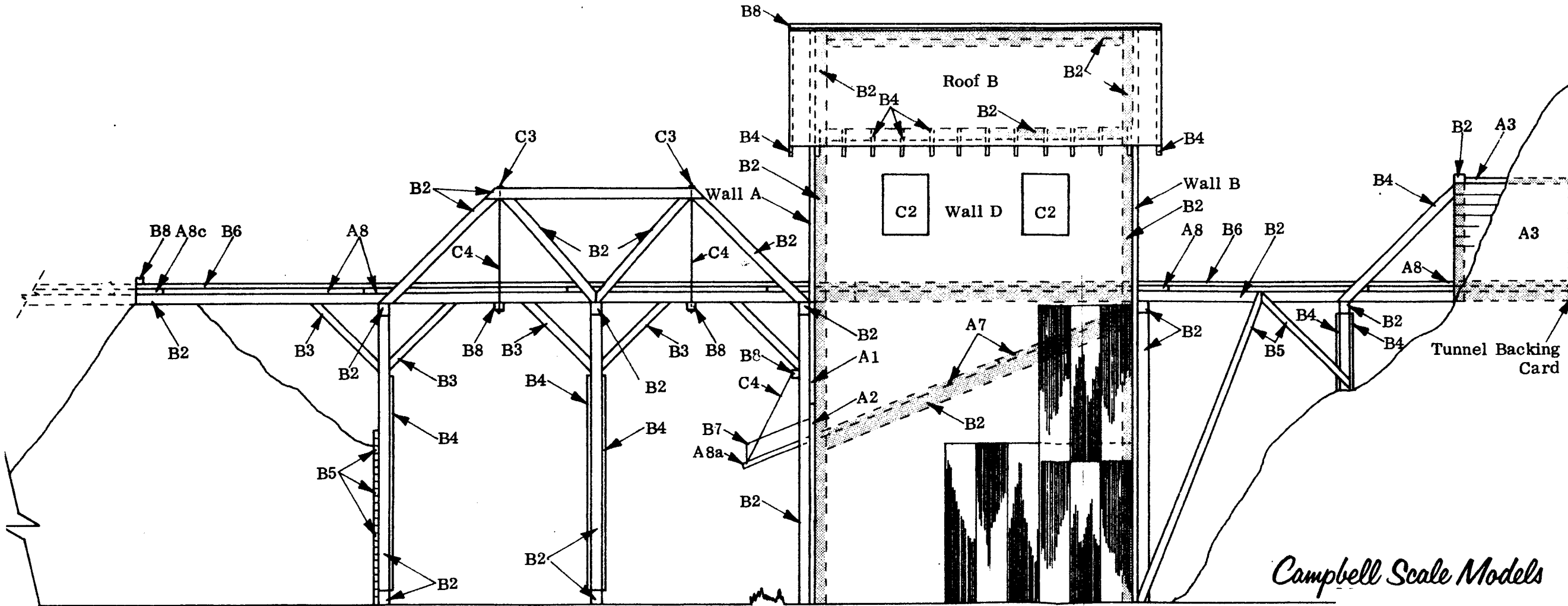
IDAHO SPRINGS MINE

Kit No. 433

43302

#4330781





RIGHT VIEW

Campbell Scale Models

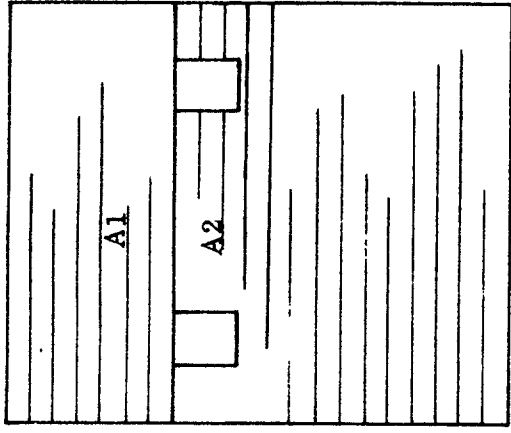


FIGURE 1
 FRONT WALL TEMPLATE

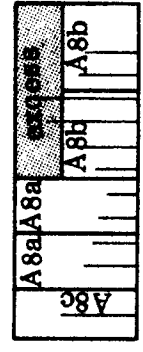


FIGURE 2
 A8 CUTTING TEMPLATE

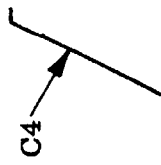


FIGURE 3
 CHUTE SUPPORT
 WIRE TEMPLATE

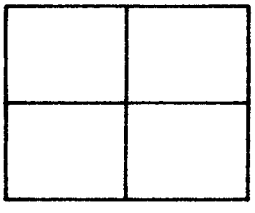
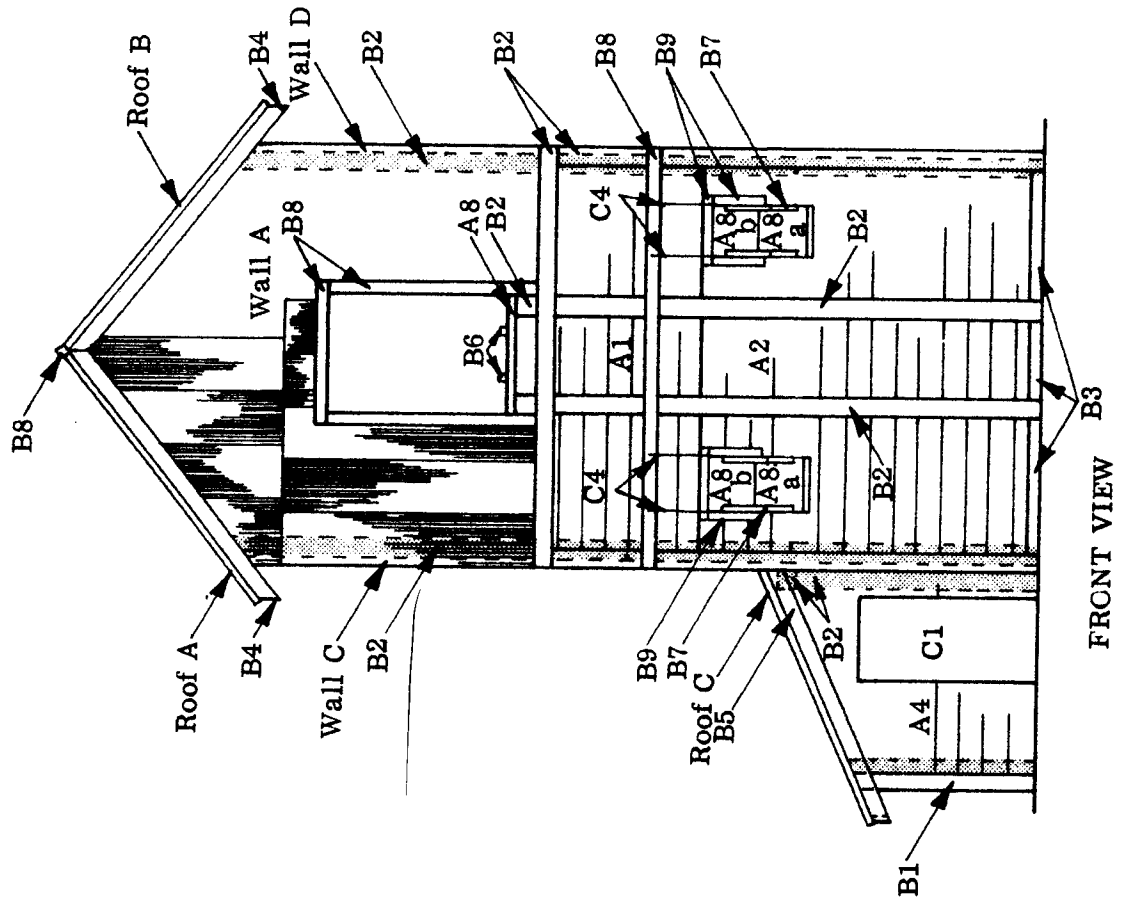
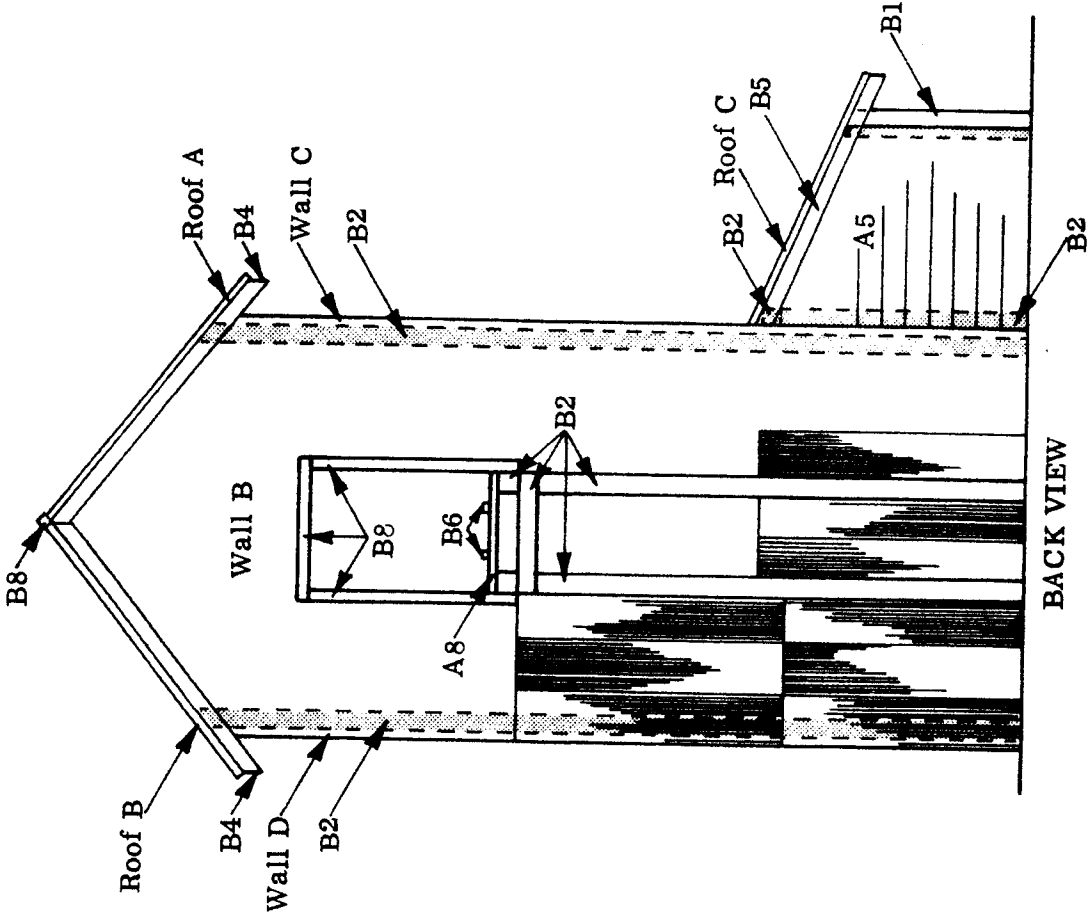


FIGURE 4
 ACETATE CUTTING TEMPLATE



FRONT VIEW



BACK VIEW

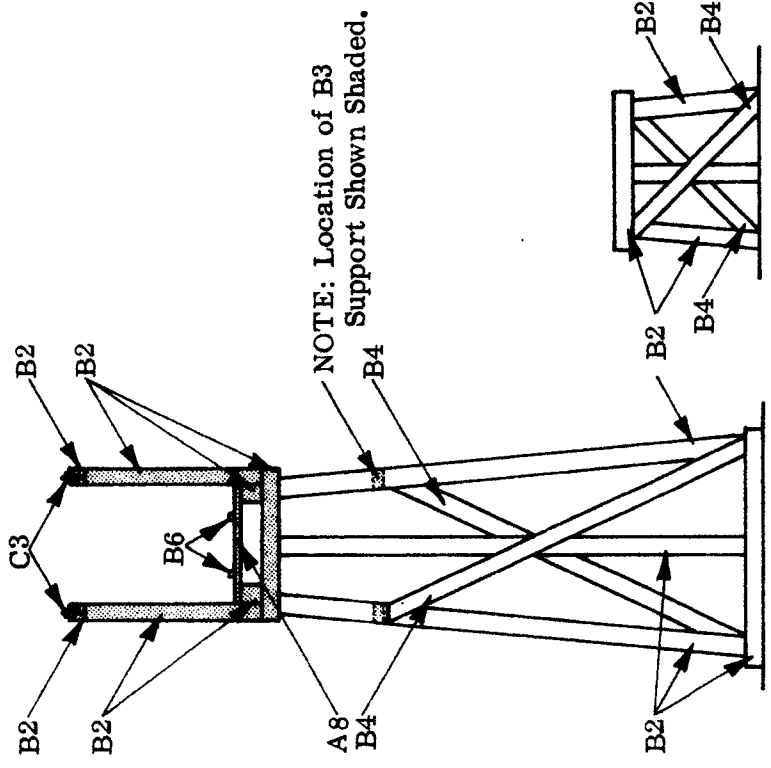


FIGURE 5
 TRACK SUPPORT BENT TEMPLATE

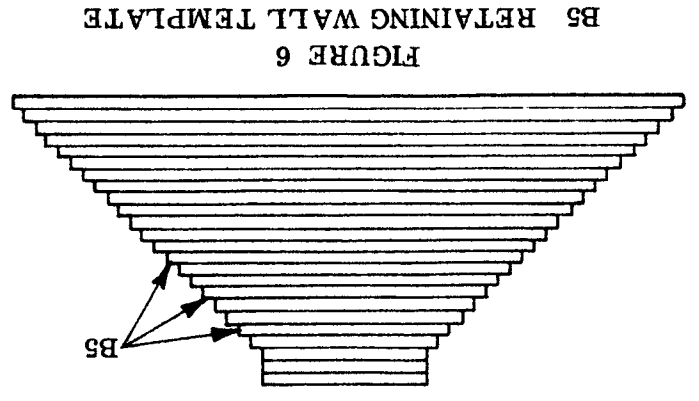


FIGURE 6
 B5 RETAINING WALL TEMPLATE

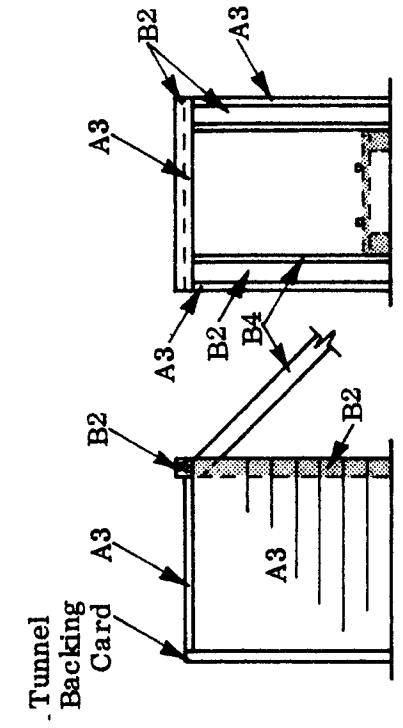


FIGURE 7
 TUNNEL ENTRANCE TEMPLATE

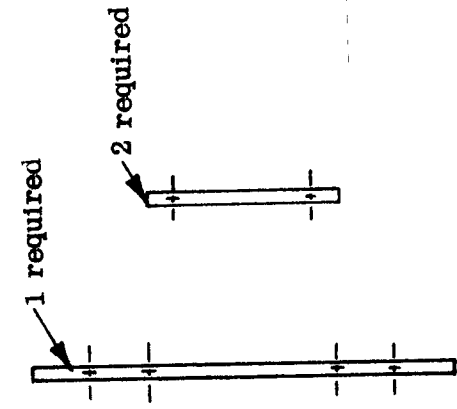


FIGURE 8
 B8 HOLE DRILLING
 TEMPLATE

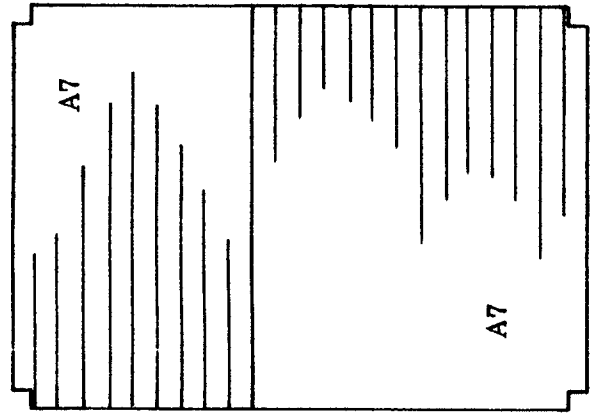


FIGURE 9
 A7 CUTTING TEMPLATE

